

MUDGUARD



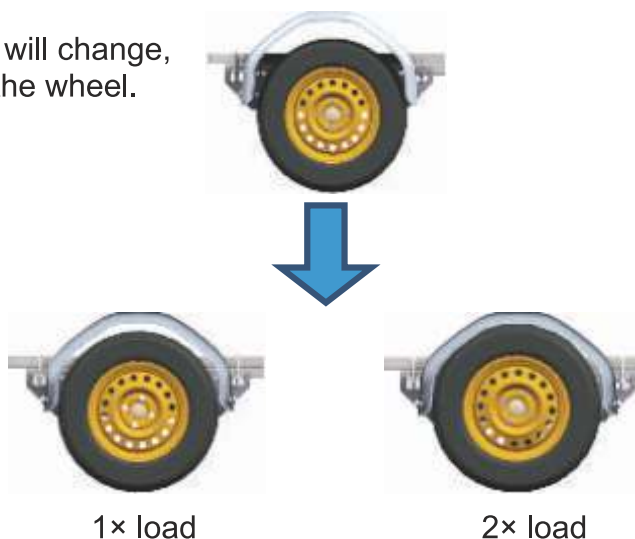
MUDGUARDS

Mounting position of mudguard and wheel



This is the correct mounting position of the wheel and mudguard mounting under normal circumstances when the trailer is not loaded. This should provide a clearance of 110 – 120 mms.

Under 1× or 2× load this clearance will change, but still ensures enough space for the wheel.



Please note that you gain a longer lifespan for your trailer, if you don't overload it!

STEEL MUDGUARD

Materials:

- stainless steel
- sensimir –galvanized steel

Weatherproof construction!

Profile for sidewall mounting: 12/40
Radius: 12

PLASTIC MUDGUARD

Material:

- high quality plastic

Profile for sidewall mounting: 6/25; 12/37,5; 12/40





TRAILER MUDGUARDS



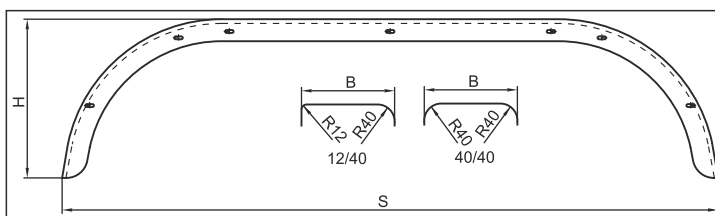
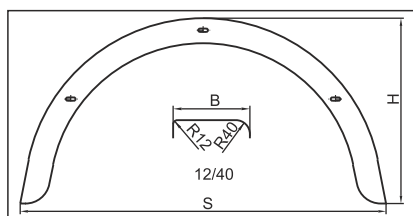
SINGLE AXLE



Type	Lenght S (mm)	Hight H (mm)	Width B (mm)	Profile	Mounting holes (pcs)	Material	Wheel size max.	Article number
A206612K	660	345	200	12/40		galvanized steel	165/80R13	6X0573.001
A206612K(F)	660	345	200	12/40	7	galvanized steel	165/80R13	6X0573.014
A207012K	700	390	200	12/40		galvanized steel	165/80R14	6X0573.002
A207512K	750	415	200	12/40		galvanized steel	165/80R16	6X0573.003
A207512K(F)	750	415	200	12/40	5	galvanized steel	165/80R16	6X0573.013
A227512K	750	390	220	12/40		galvanized steel	185/80R15	6X0573.004
A227512K(F)	750	390	220	12/40	5	galvanized steel	185/80R15	6X0573.018
A228012K	800	415	220	12/40		galvanized steel	185/80R17	6X0573.005
A228612K	860	445	220	12/40		galvanized steel	185/80R19	6X0573.006
A247512K	750	390	240	12/40		galvanized steel	205/80R14	6X0573.007
A247512K(F)	750	390	240	12/40	5	galvanized steel	205/80R14	6X0573.017
A248012K	800	415	240	12/40		galvanized steel	205/80R16	6X0573.008
A248012K(F)	800	415	240	12/40	3 + 4 oval	galvanized steel	205/80R16	6X0573.015
A248612K	860	445	240	12/40		galvanized steel	205/80R18	6X0573.009
A248040K	800	415	240	40/40		galvanized steel	205/80R16	6X0573.010
A268012K	800	445	260	12/40		galvanized steel	225/80R14	6X0573.011
A268012K(F)	800	445	260	12/40	7	galvanized steel	225/80R14	6X0573.016
A268040K	800	415	260	40/40		galvanized steel	225/80R14	6X0573.012

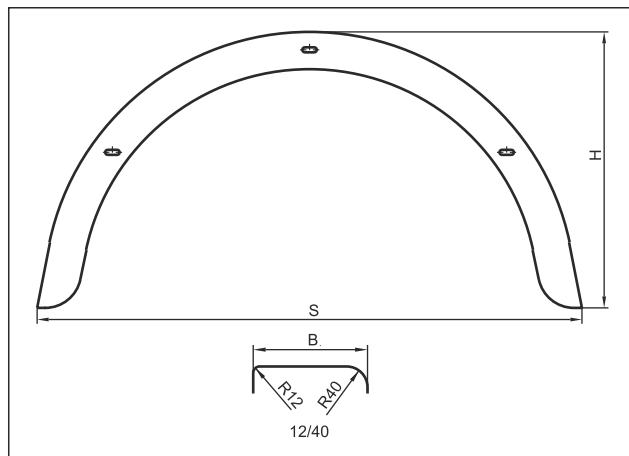
TANDEM AXLE

A2213912KT	1390	375	220	12/40		galvanized steel	185/80R12	6X0570.005
A2213912KT(F)	1400	350	220	12/40	5 oval	galvanized steel	185/80R12	6X0570.014
A2215512KT	1550	375	220	12/40		galvanized steel	185/80R15	6X0570.006
A2215512KT(F)	1550	375	220	12/40	7 oval	galvanized steel	185/80R15	6X0570.018
A2215540KT	1550	375	220	40/40		galvanized steel	185/80R15	6X0570.002
A2415012KT	1500	410	240	12/40		galvanized steel	205/80R13	6X0570.007
A2415012KT(F)	1500	410	240	12/40	7 oval	galvanized steel	205/80R13	6X0570.017
A2415040KT	1500	410	240	40/40		galvanized steel	205/80R13	6X0570.003
A2615012KT	1500	410	260	12/40		galvanized steel	225/80R12	6X0570.008
A2615012KT(F)	1500	400	260	12/40	7 oval	galvanized steel	225/80R12	6X0570.016
A2615040KT	1500	410	260	40/40		galvanized steel	225/80R12	6X0570.004
A2014812KT	1480	365	200	12/40		galvanized steel	165/80R15	6X0570.010
A2415112KT	1510	390	240	12/40		galvanized steel	205/80R13	6X0570.011



Mudguards with a profile of 12/40 and 40/40. Radius 12 is for sidewall-mounting on a trailer. Radius 40 is for mounting on the supports of trailers, like boattrailers.

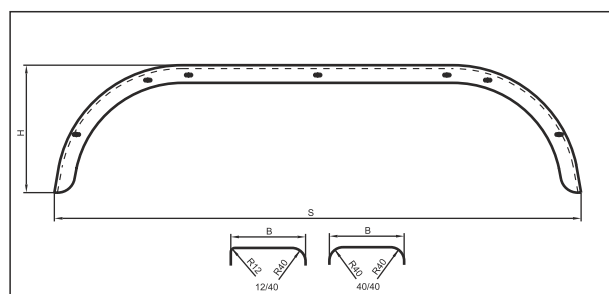
SINGLE AXLE STAINLESS STEEL MUDGUARDS



Type	Lenght S (mm)	Hight H (mm)	Width B (mm)	Profile	Mounting holes (pcs)	Material	Wheel size max.	Article number
13"	660	345	200	12/40		Stainless steel	165/80R13	6X1485.001
14"	750	390	240	12/40	3 oval	Stainless steel	205/80R14	6X1485.002
A268040K	800	415	260	40/40		Stainless steel	205/80R16	6X1485.003
10"	620	300	160	12/40		Stainless steel	125/80R14	6X1485.004
12"	660	340	190	12/40		Stainless steel	155/80R13	6X1485.005
13"	735	370	220	12/40		Stainless steel	185/80R14	6X1485.006
14"	800	415	245	40/40		Stainless steel	205/80R16	6X1485.007

Mudguards with a profile of 12/40. Radius 12 is for sidewall-mounting on a trailer.
Radius 40/40 is for mounting on the supports of trailers, like boattrailers.

DOUBLE AXLE STAINLESS STEEL MUDGUARDS



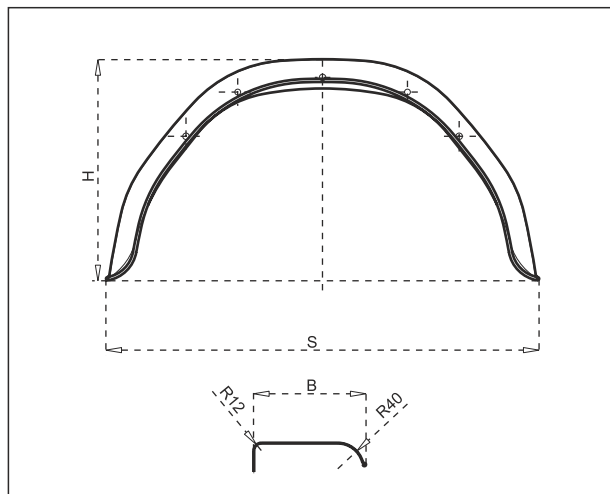
Type	Lenght S (mm)	Hight H (mm)	Width B (mm)	Profile	Mounting holes (pcs)	Material	Wheel size max.	Article number
14"	1500	410	240	12/40	7 oval	Stainless steel	205/80R13	6X1486.001
14"	1500	410	240	12/40		Stainless steel	205/80R13	6X1486.002

Tandem mudguards with a profile of 12/40 and 40/40. Radius 12 is for sidewall-mounting on a trailer.
Radius 40/40 is for mounting on the supports of trailers, like boattrailers.

SINGLE AXLE TRAILER MUDGUARDS (angular)

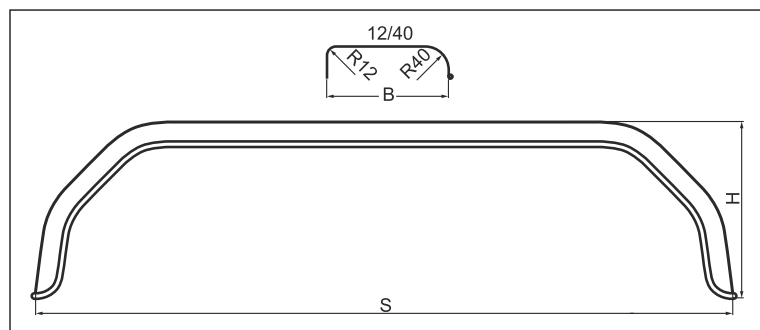


Type	Length S (mm)	Height H (mm)	Width B (mm)	Profile	Mounting holes (pcs)	Material	Wheel size max.	Article number
A176712S	670	340	170	12/40		galvanized steel	135/80R15	6X1031.001
A176712S(F)	670	340	170	12/40	5	galvanized steel	135/80R15	6X1031.012
A207612S	760	390	200	12/40		galvanized steel	165/80R17	6X1031.002
A207612S(F)	760	360	200	12/40	7	galvanized steel	165/80R17	6X1031.013
A207612S(F)	760	350	200	12/40	11	galvanized steel	165/80R17	6X1031.007
A227612S	760	390	220	12/40		galvanized steel	185/80R15	6X1031.003
A227512S	750	390	220	12/40		galvanized steel	185/80R15	6X1031.004
A247512S	750	390	240	12/40		galvanized steel	205/80R14	6X1031.005
A155512S(F)	550	245	150	12/40	5	galvanized steel	120/80R11	6X1031.009
ET-70343-A Knott INOX	680	350	200	12/40		Stainless steel	255/80R12	6X1486.006
A227512S INOX	750	390	220	12/40		Stainless steel	185/80R15	6X1486.007
A176712S INOX	670	340	170	12/40		Stainless steel	135/80R15	6X1486.009



Angular mudguards with a profile of 12/40.
Radius 12 is for sidewall-mounting on a trailer.

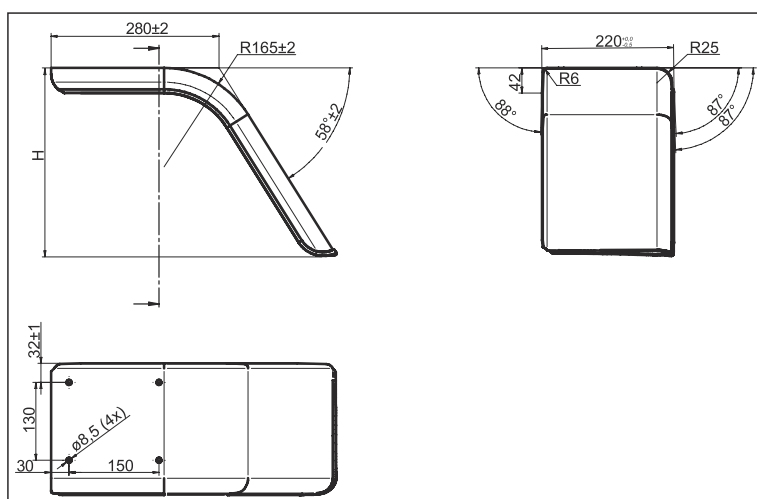
DOUBLE AXLE TRAILER MUDGUARDS (angular)



Tandem mudguards with a profile of 12/40. Radius 12 is for sidewall-mounting on a trailer.

Type	Length S (mm)	Height H (mm)	Width B (mm)	Profile	Mounting holes (pcs)	Material	Wheel size max.	Article number
A2315112ST	1510	380	230	12/40		galvanized steel	195/80R14	6X0570.012
A2315112ST(F)	1510	380	230	12/40	9 oval	galvanized steel	195/80R14	6X0570.015
A2315112ST INOX	1510	380	230	12/40		Stainless steel	195/80R14	6X1486.008

TRAILER MUDGUARDS (half)



Type	Length S (mm)	Height H (mm)	Width B (mm)	Profile	Mounting holes (pcs)	Material	Wheel size max.	Article number
5227 Je & Bh	632	~314	220	6/25	4	galvanized steel	185/80R15	6A5227.001
5228 JH & Be	632	~314	220	6/25	4	galvanized steel	185/80R15	6A5228.001
5229 Jh & Be	712	~382	240	6/25	4	galvanized steel	205/80R14	6A5229.001
5230 Je & Bh	712	~382	240	6/25	4	galvanized steel	205/80R14	6A5230.001

These mudguards have to be mount on the bottom plate of the trailer.

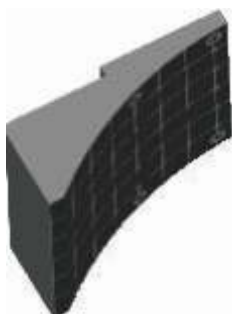
SUPPLEMENTS FOR PLASTIC MUDGUARDS

TOP STEP PLATE FOR PLASTIC MUDGUARDS



New construction

MUDGUARD STIFFENER



Mounting instruction



Main features

very strong, high dimensional stability, good heat deformation resistance
resistant to many oils, greases, diesels, petrol, UV and weather

Material: PA6GF30

MUDFLAP



Protect the vehicle, passengers, other vehicles, and pedestrians from mud
and other flying debris thrown into the air by the rotating tire.

Material: PVC

PLASTIC MUDGUARDS



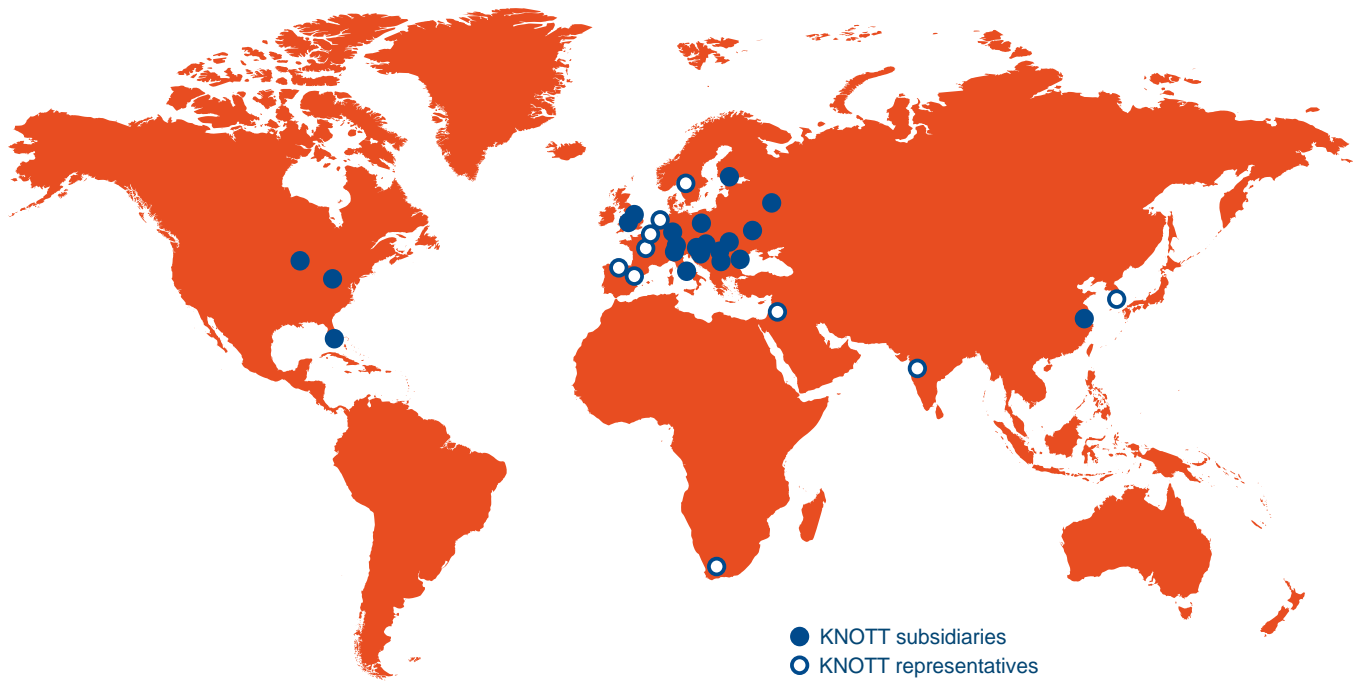
Type	Lenght S (mm)	Hight H (mm)	Width B (mm)	Profile	Colour	Article number
A186812SM	678	336	180	12/40	gray RAL7040	6A6092.001
A186812SM	678	336	180	12/40	black	6A6092.002
13"	660	327	200	10/30	black	6X0744.003
14"	760	327	220	10/30	black	6X0744.004
Tandem	1550	400	240	10/30	black	6X1506.002
8"-12"	525	150	175	30/30	gray	6A6594.101
8"-12"	525	150	175	30/30	white	6A6594.201

3 STEPS PLASTIC MUDGUARDS



Type	Lenght S (mm)	Hight H (mm)	Width B (mm)	Colour	Article number
12"	950	245	225	gray	6A6595.101
13"	1025	295	250	gray	6A6595.102
14"	1100	325	275	gray	6A6595.103
12"	950	245	225	white	6A6595.201
13"	1025	295	250	white	6A6595.202
14"	1100	325	275	white	6A6595.203
12"	950	245	225	black	6A6595.301
13"	1025	295	250	black	6A6595.302
14"	1100	325	275	black	6A6595.303

There is no trailer without us



The Knott Group - global competency

The member companies of the Knott Group design, develop, produce and market braking systems for commercial and off-highway vehicles together with running gear components for trailers.

Competent, one-to-one consulting and outstanding product quality are characteristic of all the companies within the Group.

KNOTT's own production plants and branch offices are supported by a world-wide dealership network.



www.autoflex.ro

KNOTT GROUP
BRAKE AND TRAILER TECHNOLOGY

Presented by:

AUTOFLEX SRL

Tel.: (+40) 259/373-495 Fax: (+40) 259/406-748
RO-415500 Salonta - Sos. Aradului km 75+300 - Romania
web: www.autoflex.ro e-mail: info@autoflex.ro